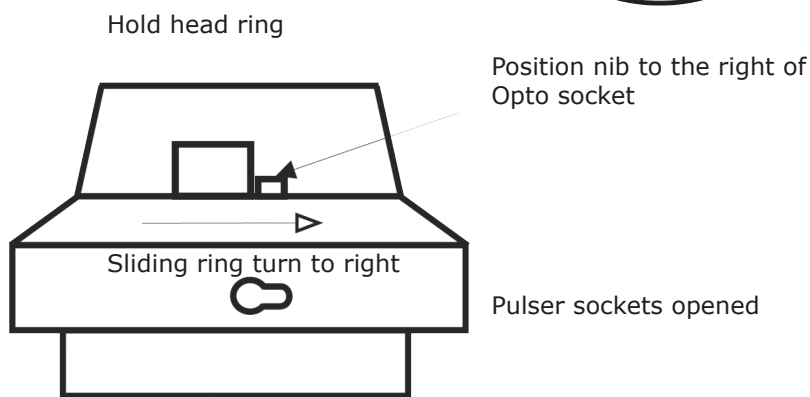
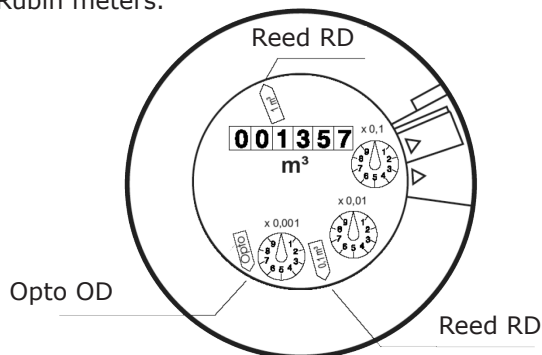
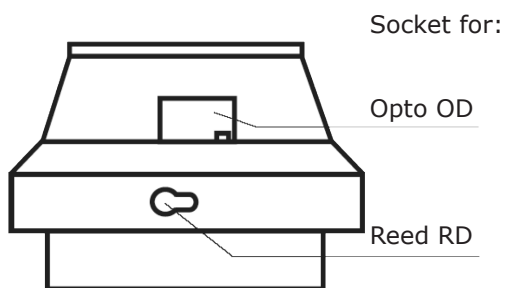


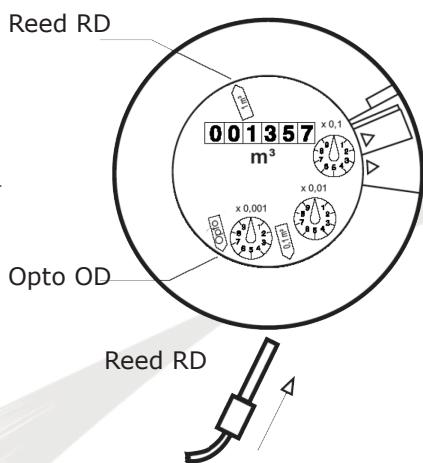
Mounting instructions

RD & OD modules

The following instructions are valid for all RD and OD modules on Rubin meters.

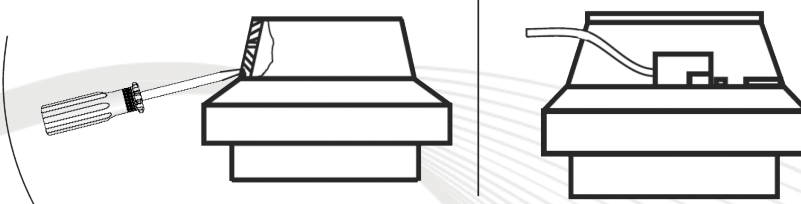


1. Reed RD

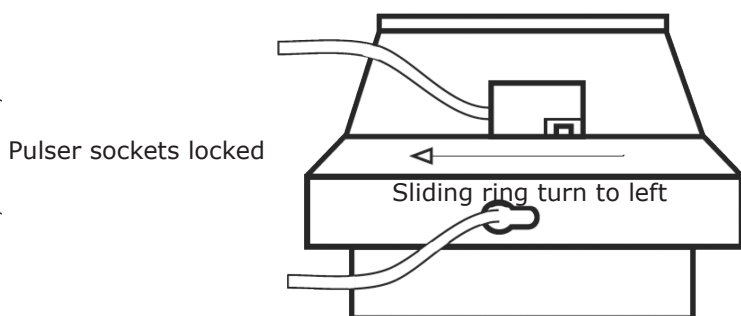


2. Opto OD

Remove covering plate before mounting opto OD



3. Hold head ring



Ambiductor AB

Address: Armévågen 61-63
187 64 TÄBY, Sweden
Tel: +46(0)8-501 676 76
Email: info@ambiductor.se
Internet: www.ambiductor.se